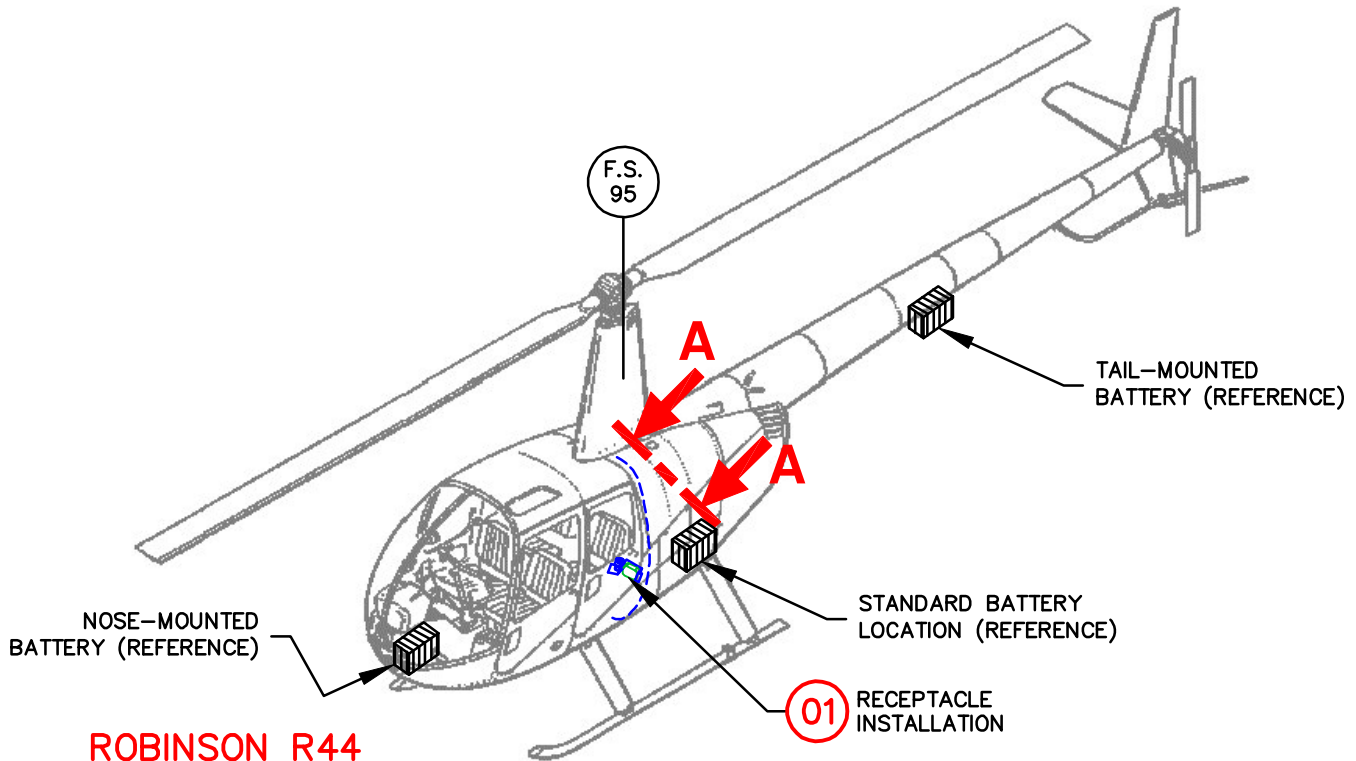
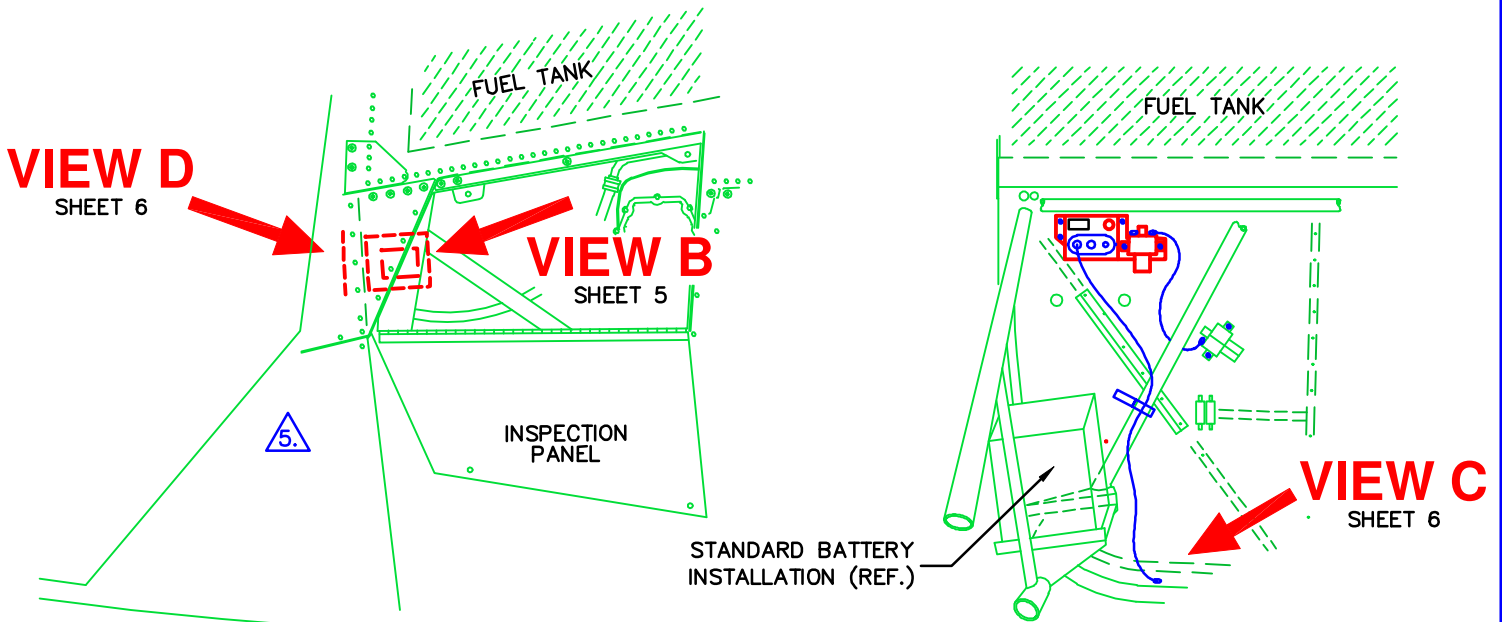


REV.	DESCRIPTION OF CHANGE	INITIALS	DATE
D	KIT RE-DESIGN	STF	SEP 12/11
E	WEIGHT AND BALANCE DETAIL, PLACARD LOCATION, CABLE CLAMP	STF	OCT 24/11
F	PLACARD RELOCATED, CABLE CLAMP ADDED	STF	OCT 24/11



**ROBINSON R44
EXTERNAL POWER RECEPTACLE INSTALLATION**

ONLY MODELS EQUIPPED WITH 28V ELECTRICAL SYSTEM ARE ELIGIBLE



VIEW A

VIEW LOOKING INSIDE ENGINE COMPARTMENT

STANDARD BATTERY CONFIGURATION SHOWN ONLY, FOR CLARITY.

BATTERY LOCATIONS IN TAIL-CONE OR UNDER SEAT ARE SIMILAR. SEE ROBINSON R44 MAINTENANCE MANUAL FOR DETAIL

COVER / OVERVIEW

THIS DRAWING CONTAINS INFORMATION AND DATA PROPRIETARY TO VANAIR INC. THIS DRAWING, OR ANY PORTION OF IT MAY NOT BE REPRODUCED, COPIED, OR DUPLICATED IN ANY MANNER, NOR USED FOR MANUFACTURING WITHOUT THE WRITTEN CONSENT OF VANAIR INC. BY ACCEPTING THIS DRAWING FOR REFERENCE, THE RECIPIENT AGREES TO HOLD VANAIR INC. HARMLESS FROM THE USE, OR MISUSE, OF THIS DRAWING OR THE INFORMATION CONTAINED THEREON.

HELITOWCART (VANAIR INCORPORATED)

880 Marie-Victorin, Saint-Nicolas, Lévis, Québec, Canada, G7A 3S9
Tel: 1-418-561-4612 Fax: 1-418-836-2291 info@helitowcart.com www.helitowcart.com

APPROVALS	DATE	PREPARED FOR:	BY: AERO DESIGN LTD.
DRAWN: S. FAHEY	SEP 12/11	HELITOWCART (VANAIR Inc.)	
CHECKED: E. BURGOIN	SEP 12/11	ROBINSON R44 HELICOPTER	
DIMENSIONS ARE IN INCHES. TOLERANCES: ±1/2" X.XX=±0.03 X.X=±0.1		EXTERNAL POWER RECEPTACLE	
CUSTOMER DRAWING		NOT TO SCALE	DWG. SIZE DWG. NO. REV.
115-0001-00		SHEET 1 OF 6	A4 92901 F

REV.	DESCRIPTION OF CHANGE	INITIALS	DATE
D	KIT RE-DESIGN	STF	SEP 12/11
E	WEIGHT AND BALANCE DETAIL, PLACARD LOCATION, CABLE CLAMP	STF	OCT 13/11
F	PLACARD RELOCATED, CABLE CLAMP ADDED	STF	OCT 24/11

WEIGHT AND BALANCE		LONGITUDINAL		LATERAL		
ITEM	DESCRIPTION	WEIGHT (LB)	ARM (IN)	MOMENT (LB-IN)	ARM (IN)	MOMENT (LB-IN)
	RECEPTACLE	0.6	95	57	18 (L)	11
	MOUNTING BRACKETS	0.2	95	19	18 (L)	4
	RELAY	2.0	95	190	18 (L)	36
	WIRES (APPROXIMATE)	0.6	96	58	18 (L)	11
11	TOTAL (STANDARD)	3.4	95	324	18 (L)	62
OPTION:						
	EXTRA LONG WIRE (TO REACH BATTERY INSTALLED IN THE TAIL)	0.5	110	55	0	0
12	TOTAL	3.9	97	379	16 (L)	62
OPTION:						
	EXTRA LONG WIRE (TO REACH BATTERY INSTALLED IN THE NOSE)	0.5	80	40	0	0
13	TOTAL	3.9	93	364	16 (L)	62

QTY	QTY	QTY	PART NUMBER	ITEM	NAME / TYPE	SIZE / DESCRIPTION	REFERENCE NO.
			92901-01	01	EXTERNAL RECEPTACLE INST.		115-0001-00-A
		1	92911-01	11	E.P.R. KIT ASSEMBLY	W/ STD BATTERY	115-0101-00-A
	1		92911-02	12	E.P.R. KIT ASSEMBLY	W/ TAIL BATTERY OPTION	115-0102-00-A
1			92911-03	13	E.P.R. KIT ASSEMBLY	W/ NOSE BATTERY OPTION	115-0103-00-A
1	1	1	92925-01	21	PLACARD		335-0003-00-A
1	1	1	MS21919CJ-14	22	CLAMP - PADDED	SILICONE 7/8"	235-0101-00-A
1	1	1	MS21919CJ-4	23	CLAMP - PADDED	SILICONE 1/4"	235-0102-00-A
A/R	A/R	A/R	MS3367-4-9	24	TY-RAP		235-0103-00-A
1	1	1	MS25036-123	25	RING TERMINAL	WIRE=04, HOLE=1/4"	255-0008-00-A
1	1	1	MS25036-124	26	RING TERMINAL	WIRE=04, HOLE=5/16"	255-0009-00-A
5	5	5	MS25171-2S	27	BOOT	SILICONE	255-0012-00-A
2	2	2	MS25171-3S	28	BOOT	SILICONE	255-0013-00-A
3	3	3	AN4-5A	30	BOLT		235-0201-00-A
6	6	6	AN960-416	31	WASHER		235-0202-00-A
3	3	3	MS21042L4	32	NUT		235-0203-00-A
4	4	4	MS27039C0806	33	SCREW		235-0204-00-A
8	8	8	NAS1149FN832P	34	WASHER		235-0205-00-A
4	4	4	MS21042L08	35	NUT		235-0206-00-A
1	1	1	MS27039-1-14	41	SCREW		235-0207-00-A
2	2	2	NAS1149F0332P	42	WASHER		235-0208-00-A
1	1	1	MS21042N3	43	NUT		235-0209-00-A

PARTS LIST / WEIGHT+BALANCE

THIS DRAWING CONTAINS INFORMATION AND DATA PROPRIETARY TO VANAIR INC. THIS DRAWING, OR ANY PORTION OF IT MAY NOT BE REPRODUCED, COPIED, OR DUPLICATED IN ANY MANNER, NOR USED FOR MANUFACTURING WITHOUT THE WRITTEN CONSENT OF VANAIR INC. BY ACCEPTING THIS DRAWING FOR REFERENCE, THE RECIPIENT AGREES TO HOLD VANAIR INC. HARMLESS FROM THE USE, OR MISUSE, OF THIS DRAWING OR THE INFORMATION CONTAINED THEREON.

HELITOWCART (VANAIR INCORPORATED)

880 Marie-Victorin, Saint-Nicolas, Lévis, Québec, Canada, G7A 3S9
Tel: 1-418-561-4612 Fax: 1-418-836-2291 info@helitowcart.com www.helitowcart.com

APPROVALS	DATE	PREPARED FOR:	BY: AERO DESIGN LTD.
DRAWN: S. FAHEY	MAY 20/11	HELITOWCART (VANAIR Inc.)	
CHECKED: E. BURGOIN	SEP 12/11	ROBINSON R44 HELICOPTER	
DIMENSIONS ARE IN INCHES. TOLERANCES: ±1/2" X.XX=±0.03 X.X=±0.1		EXTERNAL POWER RECEPTACLE	
CUSTOMER DRAWING	115-0001-00	NOT TO SCALE	DWG. SIZE DWG. NO. REV.
		SHEET 2 OF 6	A4 92901 F

REV.	DESCRIPTION OF CHANGE	INITIALS	DATE
D	KIT RE-DESIGN	STF	SEP 12/11
E	WEIGHT AND BALANCE DETAIL, PLACARD LOCATION, CABLE CLAMP	STF	OCT 13/11
F	PLACARD RELOCATED, CABLE CLAMP ADDED	STF	OCT 24/11

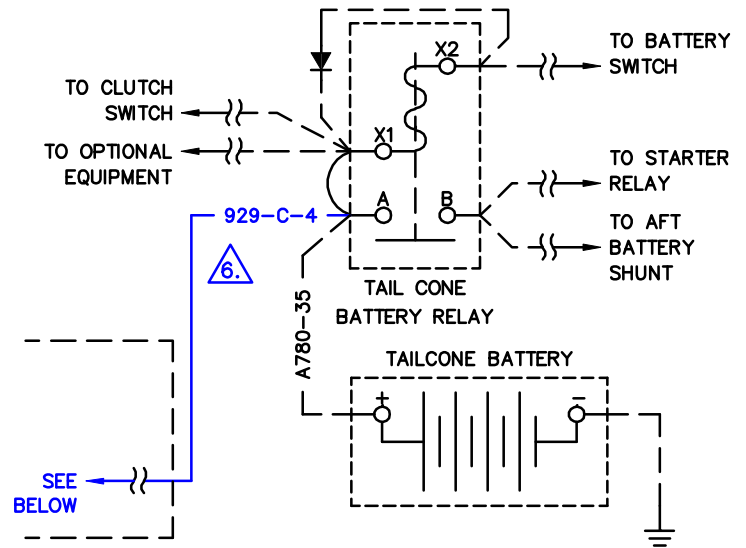
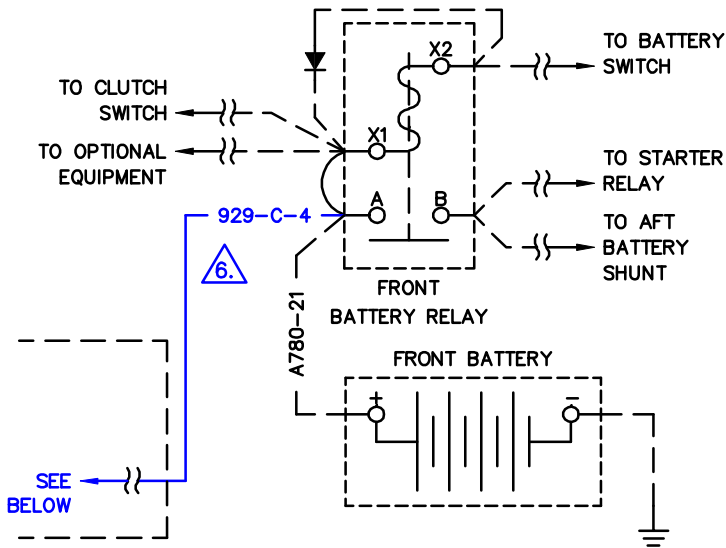
INSTALLATION NOTES:

1. ACCESS FRONT SIDE OF FIREWALL BY REMOVING L/H PASSENGER SEAT BACK PADDING. USE THE BACKING PLATE (INCLUDED WITH THE KIT) AS DRILL TEMPLATE, AS SHOWN IN DETAIL "D", SHEET 6.
2. INSTALL ALL HARDWARE USING STANDARD SHOP PRACTICES AS OUTLINED IN AC43.13-1B, CHAPTER 7 "AIRCRAFT HARDWARE, CONTROL CABLES, AND TURNBUCKLES" AND/OR ROBINSON R44 MAINTENANCE MANUAL.
3. TIGHTEN FASTENERS AS FOLLOWS:

AN4 BOLT	50-70 INCH-POUNDS (DURING INSTALLATION)
MS27039-08 SCREW	12-25 INCH-POUNDS (DURING INSTALLATION)
MS27039-1 SCREW	20 INCH-POUNDS MAX. (PRE-ASSEMBLY)
RELAY CONTACT TERMINAL	60 INCH-POUNDS MAX. (PRE-ASSEMBLY)
RELAY COIL TERMINAL	16 INCH-POUNDS MAX. (PRE-ASSEMBLY)
RECEPTACLE 5/16" STUD	120 INCH-POUNDS MAX. (PRE-ASSEMBLY)
RECEPTACLE 3/16" STUD	18 INCH-POUNDS MAX. (PRE-ASSEMBLY)
CIRCUIT BREAKER SCREW	6 INCH-POUNDS MAX. (PRE-ASSEMBLY)
CIRCUIT BREAKER MOUNT	40 INCH-POUNDS MAX. (PRE-ASSEMBLY)
4. SECURE WIRE WITH PADDED CLAMPS AS SHOWN IN AC 43.13-1B, CHAPTER 11, SECTION 9, 10 AND 11.
5. INSTALL PLACARD "28V" ON FACE OF RECEPTACLE BRACKET.
6. WIRES TO BATTERY SHALL BE CUT TO LENGTH ON INSTALLATION (AS PER HELICOPTER CONFIGURATION), SUPPORTED WITH PADDED CLAMPS AT REGULARLY SPACED INTERVALS, AND TERMINALS INSTALLED USING CRIMP TOOLS SPECIFIED BY THE MANUFACTURER (IE MIL-C-7928).

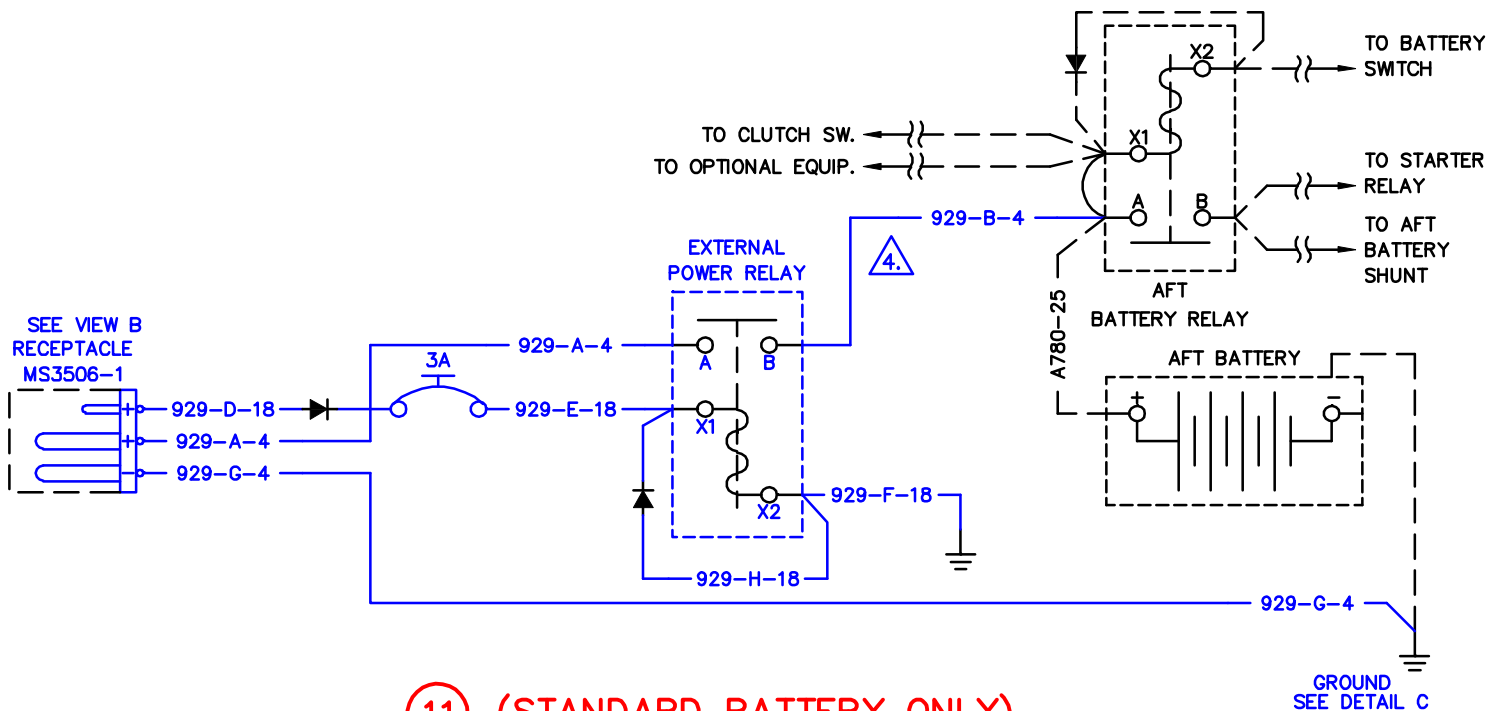
<h2>INSTALLATION NOTES</h2>	APPROVALS	DATE	PREPARED FOR: BY: AERO DESIGN LTD.	
	DRAWN: S. FAHEY	MAY 20/11	HELITOWCART (VANAIR Inc.)	
THIS DRAWING CONTAINS INFORMATION AND DATA PROPRIETARY TO VANAIR INC. THIS DRAWING, OR ANY PORTION OF IT MAY NOT BE REPRODUCED, COPIED, OR DUPLICATED IN ANY MANNER, NOR USED FOR MANUFACTURING WITHOUT THE WRITTEN CONSENT OF VANAIR INC. BY ACCEPTING THIS DRAWING FOR REFERENCE, THE RECIPIENT AGREES TO HOLD VANAIR INC. HARMLESS FROM THE USE, OR MISUSE, OF THIS DRAWING OR THE INFORMATION CONTAINED THEREON.	CHECKED: E. BURGOIN	SEP 12/11	ROBINSON R44 HELICOPTER	
	DIMENSIONS ARE IN INCHES. TOLERANCES: ±1/2" X.XX=±0.03 X.X=±0.1		EXTERNAL POWER RECEPTACLE	
HELITOWCART (VANAIR INCORPORATED)	CUSTOMER DRAWING		NOT TO SCALE	DWG. SIZE
880 Marie-Victorin, Saint-Nicolas, Lévis, Québec, Canada, G7A 3S9 Tel: 1-418-561-4612 Fax: 1-418-836-2291 info@helitowcart.com www.helitowcart.com	115-0001-00		DWG. NO.	REV.
			A4	92901
			SHEET 3 OF 6	F

REV.	DESCRIPTION OF CHANGE	INITIALS	DATE
D	KIT RE-DESIGN	STF	SEP 12/11
E	WEIGHT AND BALANCE DETAIL, PLACARD LOCATION, CABLE CLAMP	STF	OCT 13/11
F	PLACARD RELOCATED, CABLE CLAMP ADDED	STF	OCT 24/11



13 (NOSE BATTERY ONLY)
WIRE TO BATTERY RELAY TERMINAL

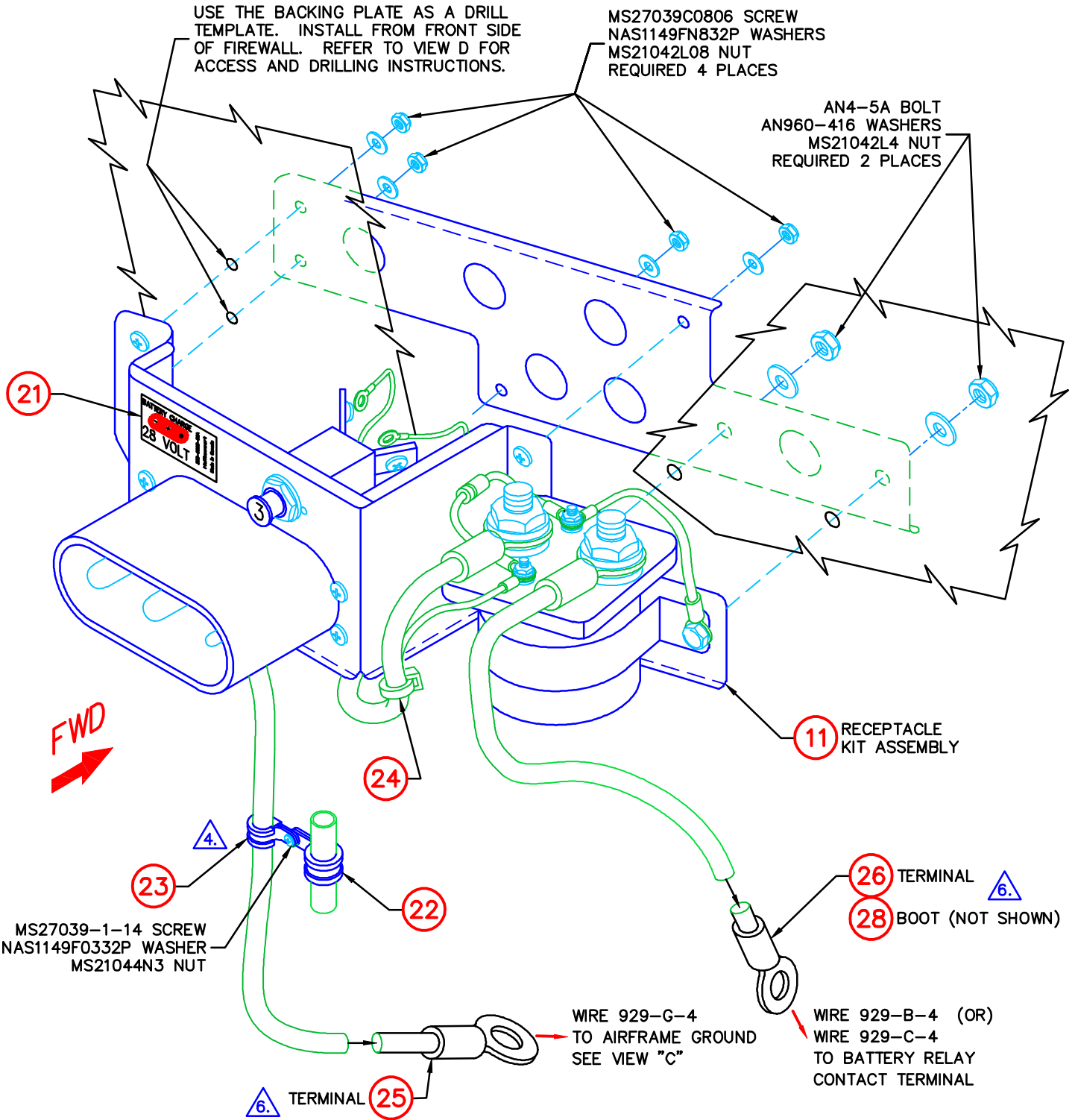
12 (TAILCONE BATTERY ONLY)
WIRE TO BATTERY RELAY TERMINAL



11 (STANDARD BATTERY ONLY)
RECEPTACLE WIRING INSTALLATION

ELECTRICAL SCHEMATICS		APPROVALS	DATE	PREPARED FOR:	BY: AERO DESIGN LTD.
<small>THIS DRAWING CONTAINS INFORMATION AND DATA PROPRIETARY TO VANAIR INC. THIS DRAWING, OR ANY PORTION OF IT MAY NOT BE REPRODUCED, COPIED, OR DUPLICATED IN ANY MANNER, NOR USED FOR MANUFACTURING WITHOUT THE WRITTEN CONSENT OF VANAIR INC. BY ACCEPTING THIS DRAWING FOR REFERENCE, THE RECIPIENT AGREES TO HOLD VANAIR INC. HARMLESS FROM THE USE, OR MISUSE, OF THIS DRAWING OR THE INFORMATION CONTAINED THEREON.</small>		DRAWN: S. FAHEY	MAY 20/11	HELITOWCART (VANAIR Inc.)	
		CHECKED: E. BURGOIN	SEP 12/11	ROBINSON R44 HELICOPTER EXTERNAL POWER RECEPTACLE	
		DIMENSIONS ARE IN INCHES. TOLERANCES: ±1/2" X.XX=±0.03 X.X=±0.1		CUSTOMER DRAWING	
HELITOWCART (VANAIR INCORPORATED) <small>880 Marie-Victorin, Saint-Nicolas, Lévis, Québec, Canada, G7A 3S9 Tel: 1-418-561-4612 Fax: 1-418-836-2291 info@helitowcart.com www.helitowcart.com</small>		115-0001-00		SHEET 4 OF 6	A4 92901
				REV.	F

REV.	DESCRIPTION OF CHANGE	INITIALS	DATE
D	KIT RE-DESIGN	STF	SEP 12/11
E	WEIGHT AND BALANCE DETAIL, PLACARD LOCATION, CABLE CLAMP	STF	OCT 13/11
F	PLACARD RELOCATED, CABLE CLAMP ADDED	STF	OCT 24/11

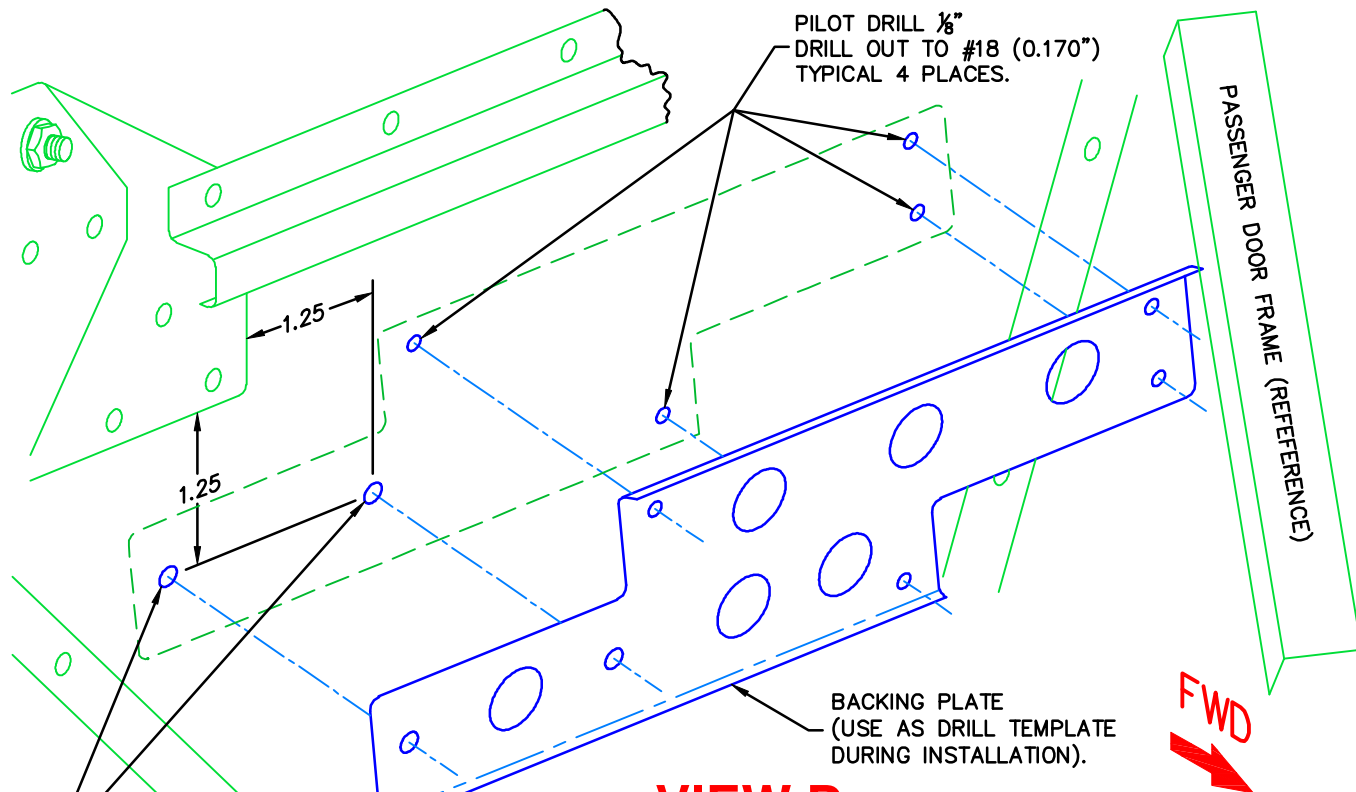


VIEW B
RECEPTACLE INSTALLATION

VIEW LOOKING INTO ENGINE COMPARTMENT AT FORWARD FIREWALL

<p align="center">RECEPTACLE INSTALLATION</p> <p><small>THIS DRAWING CONTAINS INFORMATION AND DATA PROPRIETARY TO VANAIR INC. THIS DRAWING, OR ANY PORTION OF IT MAY NOT BE REPRODUCED, COPIED, OR DUPLICATED IN ANY MANNER, NOR USED FOR MANUFACTURING WITHOUT THE WRITTEN CONSENT OF VANAIR INC. BY ACCEPTING THIS DRAWING FOR REFERENCE, THE RECIPIENT AGREES TO HOLD VANAIR INC. HARMLESS FROM THE USE, OR MISUSE, OF THIS DRAWING OR THE INFORMATION CONTAINED THEREON.</small></p> <p align="center">HELITOWCART (VANAIR INCORPORATED) 880 Marie-Victorin, Saint-Nicolas, Lévis, Québec, Canada, G7A 3S9 Tel: 1-418-561-4612 Fax: 1-418-836-2291 info@helitowcart.com www.helitowcart.com</p>	<p align="center">APPROVALS</p> <p>DRAWN: S. FAHEY</p> <p>CHECKED: E. BURGOIN</p> <p><small>DIMENSIONS ARE IN INCHES. TOLERANCES: ±1/2' X.XX=±0.03 X.X=±0.1</small></p> <p align="center">CUSTOMER DRAWING</p> <p align="center">115-0001-00</p>	<p align="center">DATE</p> <p align="center">MAY 20/11</p> <p align="center">SEP 12/11</p>	<p align="center">PREPARED FOR:</p> <p align="center">HELITOWCART (VANAIR Inc.)</p> <p align="center">ROBINSON R44 HELICOPTER EXTERNAL POWER RECEPTACLE</p> <p>NOT TO SCALE DWG. SIZE DWG. NO. REV. SHEET 5 OF 6 A4 92901 F</p>	<p align="center">BY: AERO DESIGN LTD.</p>
-----------------------------------------------------------------------------------------------------------------------------------------------------------------------------------------------------------------------------------------------------------------------------------------------------------------------------------------------------------------------------------------------------------------------------------------------------------------------------------------------------------------------------------------------------------------------------------------------------------------------------------------------------------------------------------------------------------------------------	--------------------------------------------------------------------------------------------------------------------------------------------------------------------------------------------------------------------------------------------------------------	--------------------------------------------------------------------------------------------	-------------------------------------------------------------------------------------------------------------------------------------------------------------------------------------------------------------------------------------------------------------------------------------	--------------------------------------------

REV.	DESCRIPTION OF CHANGE	INITIALS	DATE
D	KIT RE-DESIGN	STF	SEP 12/11
E	WEIGHT AND BALANCE DETAIL, PLACARD LOCATION, CABLE CLAMP	STF	OCT 13/11
F	PLACARD RELOCATED, CABLE CLAMP ADDED	STF	OCT 24/11

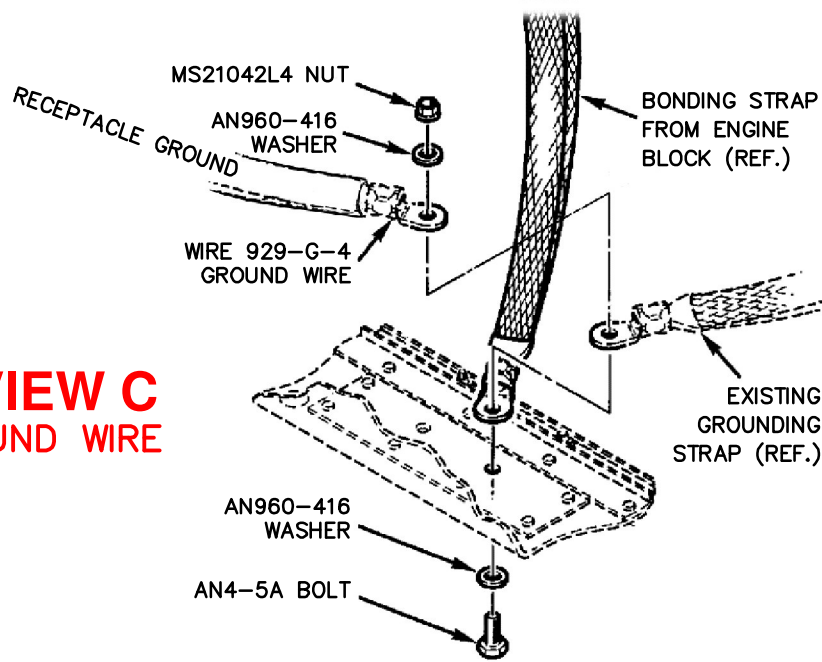


VIEW D
DRILL TEMPLATE / BACKING PLATE

VIEW LOOKING AT FORWARD FACE OF FIREWALL
(PASSENGER SEAT BACK REMOVED)
PEEL AWAY INSULATION FOAM AS REQUIRED
(REPLACE WHEN INSTALLATION IS COMPLETE)

PILOT DRILL 1/8"
DRILL OUT TO #F (0.257")
TYPICAL 2 PLACES

VIEW C
GROUND WIRE



DRILLING DETAIL / GROUND WIRE

THIS DRAWING CONTAINS INFORMATION AND DATA PROPRIETARY TO VANAIR INC. THIS DRAWING, OR ANY PORTION OF IT MAY NOT BE REPRODUCED, COPIED, OR DUPLICATED IN ANY MANNER, NOR USED FOR MANUFACTURING WITHOUT THE WRITTEN CONSENT OF VANAIR INC. BY ACCEPTING THIS DRAWING FOR REFERENCE, THE RECIPIENT AGREES TO HOLD VANAIR INC. HARMLESS FROM THE USE, OR MISUSE, OF THIS DRAWING OR THE INFORMATION CONTAINED THEREON.

HELITOWCART (VANAIR INCORPORATED)

880 Marie-Victorin, Saint-Nicolas, Lévis, Québec, Canada, G7A 3S9
Tel: 1-418-561-4612 Fax: 1-418-836-2291 info@helitowcart.com www.helitowcart.com

APPROVALS
DRAWN: S. FAHEY

DATE
MAY 20/11

CHECKED: E. BURGOIN
SEP 12/11
DIMENSIONS ARE IN INCHES. TOLERANCES:
±1/2" X.XX=±0.03 X.X=±0.1

CUSTOMER DRAWING
115-0001-00

PREPARED FOR: BY: AERO DESIGN LTD.
HELITOWCART (VANAIR Inc.)

ROBINSON R44 HELICOPTER
EXTERNAL POWER RECEPTACLE

NOT TO SCALE	DWG. SIZE	DWG. NO.	REV.
SHEET 6 OF 6	A4	92901	F